

## Applications

- Security, pathway and perimeter lighting
- Building entryways and walkways

## Features

- Suitable for WET location/Outdoor
- Full Cutoff and compliance to Dark Sky requirement
- 90W-135W power consumption, to replace 250-400W MH
- Lumen output 9300-14000lm
- Type III polycarbonate optical lens with UV stabilizers
- 120-277V and 347V for North American
- UL/cUL
- 82 CRI

# HSL DCC200E Series

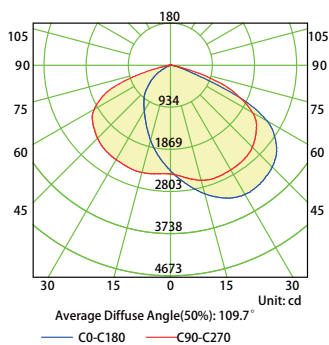
## LED Large Full Cut-Off Wall Pack



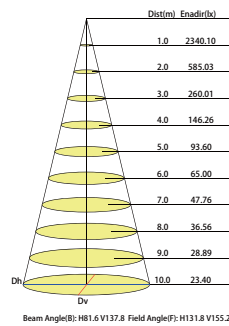
## Photometrics

HSL DCC200E90W9500LMV50K

### Luminous Intensity Distribution Curve

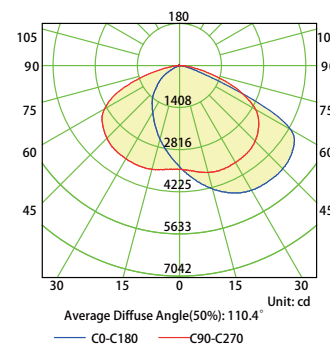


### Illuminance at a Distance

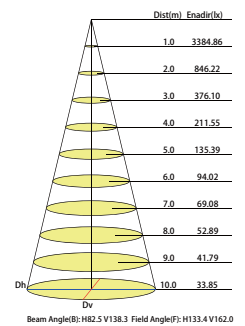


DCC200E135W14000LMV50K

### Luminous Intensity Distribution Curve

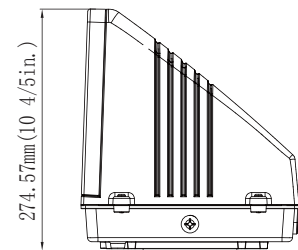
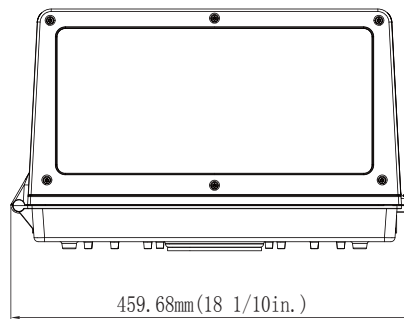


### Illuminance at a Distance



## Dimensions

All dimensions are inches. Specifications subject to change without notice



## ORDERING INFORMATION

HSL DCC200E

**Series**

**HSL DCC200E**

45W4900L

**Wattage and Lumen**

**90W9500L**

90 System Watts,  
9500 Delivered Lumens

**135W14000L**

135 System Watts,  
14000 Delivered Lumens

MV

**Driver**

**MV**

Multi - Volt  
120V-277V

50K

**Kelvin Temperature**

**40K**      4000K  
**50K**      5000K